

600mm / 900mm Flat Glass Hood



UDS601FSS
UDS901FSS

Your 1 Year Guarantee

Your appliance carries a 1 year parts and labour warranty. To fulfill the conditions of your guarantee, the appliance must be correctly installed and operated in accordance with the instructions, and only be used for normal domestic purposes.

Please note that the guarantee and service availability only apply to the United Kingdom mainland.

Customer Service

In case of difficulty please call the Customer Service Helpline number.

0844 800 7848

- When calling customer service, please ensure you have the model and serial number to hand.
- Please keep your receipt or invoice in a safe place as they will be required as proof of date of purchase.

Appliance 365 Limited, 730 Mandarin Court, Centre Park, Warrington, WA1 1GG

Important Safeguards

When using electrical appliances, in order to reduce the risk of fire, basic safety precautions should always be followed, including:

For Your Safety

Read all instructions carefully, even if you feel that you are familiar with this appliance.

- This appliance is intended for use by adults.
- This appliance is not a toy and is not intended for use by children.
- The elderly or infirm should be adequately supervised when using this appliance.
- When using this appliance the lamps may become hot and remain hot for some time after switching off.
- Please remove all packaging prior to use and dispose of or recycle accordingly.
- Packaging materials (e.g.; polystyrene and plastic items) must be kept out of reach of babies and young children at all times due to risk of suffocation.
- Flambé cooking is prohibited underneath the cooker hood.
- Do not check the status of the filters whilst the cooker hood is in operation.
- Warning: Hot fat is highly flammable and should be monitored at all times.
- Ensure your cooker hood is cleaned frequently to avoid risk of fire.

Keep these instructions in a safe place for future reference

Installation

- Always adhere to the minimum safety distance between the top of the cooker / hob and the under-side of the cooker hood, namely:
 - 650mm for electric hobs and cookers
 - 750mm for gas hobs and cookers
- Always ensure the hood is fitted in accordance with the safety distances recommended by the hob manufacturer in their installation manuals.
- It is prohibited to fit a cooker hood over a solid fuel stove.
- All materials used in the fitment of this product must be non-flammable.
- This appliance must not be connected to a chimney or vent flue which is in use.
- Professional advice should be sought if ducting this appliance into a chimney or vent flue which is no longer in use.
- This appliance should not be connected to ducting which ventilates rooms with fireplaces.
- Attention should be given to ensure that any applicable regulations concerning discharge of exhaust air are fulfilled.
- This appliance should be installed and maintained by a suitably qualified and competent person in accordance with the relevant safety regulations.
- Before connecting the appliance to the mains supply, ensure that the voltage and frequency details on the rating plate are consistent with the source of supply.
- Always disconnect the appliance from the mains supply before any maintenance or repair work is carried out.

This appliance has been produced in accordance with the relevant safety requirements.

Mis-use of this product may lead to personal injury and / or damage to property.

Please read these instructions carefully before using this appliance for the first time and keep them in a safe place for future reference.

Operation (Extraction Mode Only)

- Care should be taken if operating the cooker hood at the same time, and in the same vicinity, as other heating appliances which depend on air for their operation. This may include such appliances as wood, oil, gas or coal-fired boilers and heaters, gas ovens, hobs and cookers, and continuous flow or other water heaters.
- The cooker hood, when used in extraction mode, will draw air from neighbouring rooms in addition to the room in which it is fitted.
- If there is insufficient air in these rooms, an under-pressure will occur and the heating appliance may be starved of oxygen and combustion may not occur.
- In addition, harmful gases from the heating appliance may be drawn from the chimney / ducting back into the room with potentially fatal consequences.
- To ensure safe operation, an under-pressure of 0.04mbar (4pa) is the maximum permissible in the room.
- Adequate ventilation can be maintained by:
 - The use of air inlets by means of windows, doors and external wall vents
 - Ensuring none of the ventilation openings are blocked
 - Using either the cooker hood or heating appliance in isolation
- It is advisable to use a window contact switch if relying on an open window as the sole source of ventilation. In this case, the cooker hood will not operate unless the window is opened sufficiently. These can be obtained from all good builders merchants.
- Any doubts or concerns should be raised with a suitably qualified and competent person or, in the case of a gas appliance, with a Corgi registered installer.

Disposal of Your Old Appliance

Before discarding your old appliance:

- Switch off and disconnect it from the power supply
- Cut off the plug
- Cut off the cable directly behind the appliance to prevent mis-use.

These steps should be carried out by a suitably qualified and competent person.



This appliance is marked according to the European directive 2002/96/EC on Waste Electrical and Electronic Equipment (WEEE).

By ensuring this product is disposed of correctly, you will help prevent potential negative consequences for the environment and human health, which could otherwise be caused by inappropriate waste handling of this product.

The symbol on the product indicates that this product may not be treated as household waste. Instead it shall be handed over to the applicable collection point for the recycling of electrical and electronic equipment.

Disposal must be carried out in accordance with local environmental regulations for waste disposal.

For more detailed information about treatment, recovery and recycling of this product, please contact your local city office, your household waste disposal service or the shop where you purchased the product.

The manufacturer cannot be held liable for any damage caused due to non-compliance with these important safeguards.

Modes of Operation

This cooker hood is designed to be installed for air extraction or air re-circulation. For air extraction, a ducting kit is required. For air re-circulation charcoal filters are required.

Air Extraction (Figure 1):

The air is drawn in and cleaned by the grease filters and directed outside.

If the on-site ventilation system does not have a non-return flap, the non-return flap supplied with the appliance must be fitted in the exhaust socket in the motor unit.

Having a non-return flap fitted to the ducting ensures that air, once ducted to the outside, cannot get back into the room again.

The flap is closed when the cooker hood is switched off.

When the cooker hood is switched on, the non-return flap opens for the cooking vapours to be ducted away.

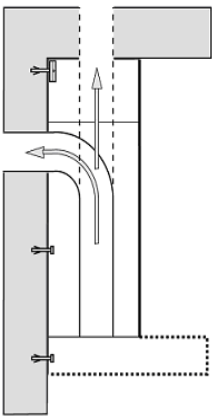


Fig. 1

Air Recirculation (Figure 2):

The air is drawn in and cleaned first by the grease filters and then by a charcoal filter. The cleaned air is then recirculated back into the kitchen through grilles in the top of the cooker hood extension piece.

Before using the cooker hood in recirculation mode, please ensure that the charcoal filters (not supplied) are in place.

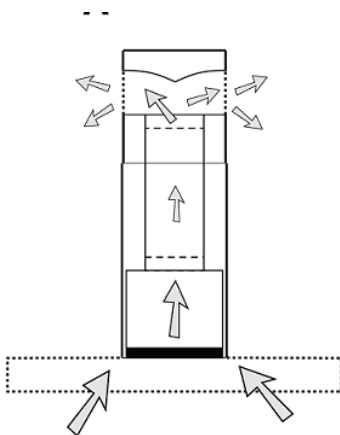
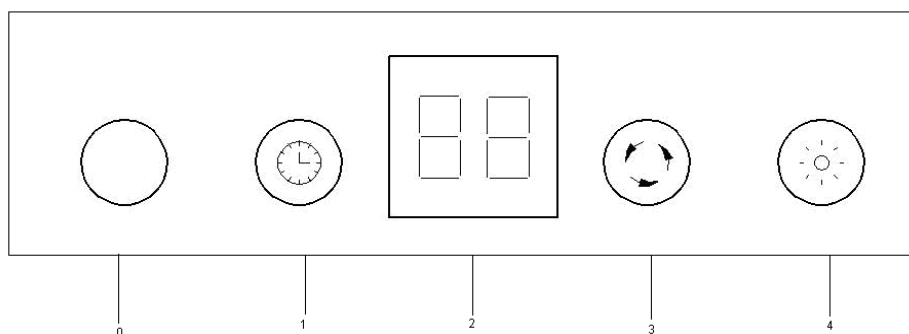


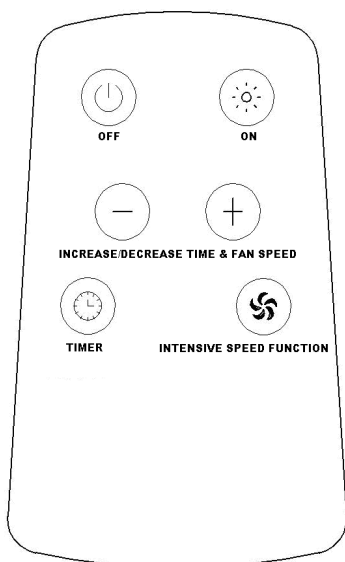
Fig. 2

Key Features Explained

Fig. 1: Operating cooker hood



0	Remote control receiver
1	Timer
2	Time and Speed display
3	Speed selector
4	Lamp



Using the Timer

Press the timer button once and the default setting of 15 minutes will be displayed. To increase the default time, press the speed adjust (+) button on the remote control. To decrease the time, press the speed adjust button (-) as required. The maximum duration is 99 minutes.

Aluminium Grease Filters

The re-usable aluminium filters supplied with this appliance should be cleaned every 3 – 4 weeks to avoid a build up of grease.

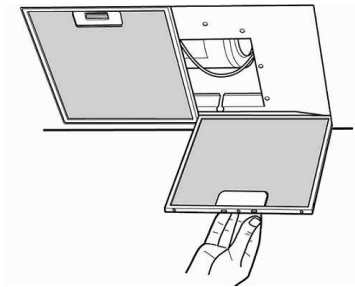


Fig 1: Removing aluminium filters.

- To remove the grease filter, release the locking mechanism at the front of the filter, lower the filter slightly and unhook it at the back taking care to hold the filter securely at all times.
- To clean the filter, place it into a bowl of warm soapy water and soak for about 2 – 3 minutes.
- Clean the mesh with a soft brush.
- Do not apply too much pressure as the mesh is delicate and will damage easily.
- Do not use a corrosive detergent.
- Whilst the filters are removed, clean off any residual grease from the housing unit to avoid the risk of fire.
- After cleaning, leave the filters to dry before replacing them on the appliance.
- When replacing the grease filters, ensure that the locking mechanism is facing down.

Please note: The aluminium filters may alter in colour after several washes. This is quite normal and is not a cause for customer complaint.

Fitting and Replacing the Active Carbon Filter

If the cooker hood is used in re-circulation mode, an activated charcoal filter must be inserted in addition to the aluminium grease filters. These charcoal filters (not supplied) are designed to absorb cooking odours and are located in the canopy above the grease filters.

The charcoal filter is not washable and should be replaced when it no longer absorbs kitchen odours effectively. Under normal use, this would be approximately every 4 months, or more frequently for particularly heavy usage. Used charcoal filters can be disposed of with normal household waste.

Before fitting or replacing charcoal filters, the grease filters must first be removed (see previous section).

Round Charcoal Filters

For those models fitted with round charcoal filters, the filter is removed by placing one hand on the filter and rotating it towards the front of the hood (A). The charcoal filter can now be removed. To replace the filter, position the new charcoal filters in place and rotate in direction B as shown below. Ensure the aluminium grease filters are replaced once complete.

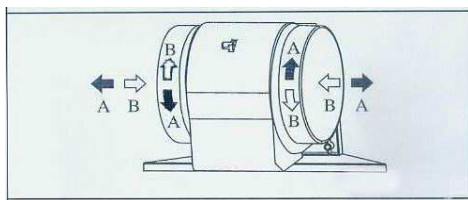


Fig 2: removing and fitting carbon filter.

Illumination

The Illumination is designed for use during cooking and not for prolonged illumination of the room.

- Prolonged use of the illumination notably reduces the frequency with which the bulb needs to be changed.

To replace the bulb:

1. Use a flat screwdriver or other appropriate tool to lift and remove the overhead light fixture.
2. Remove and replace the lamp using halogen bulbs to the original specification. Avoid direct contact between the bulb and hands.
3. Return the light fixture to its position (snap fastening).

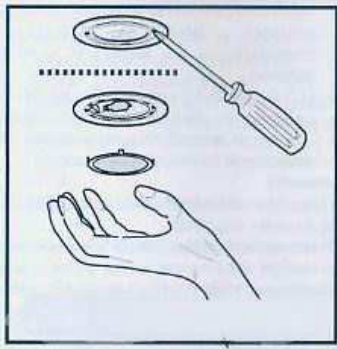


Fig 3: replacing the bulb

Cleaning and Maintenance

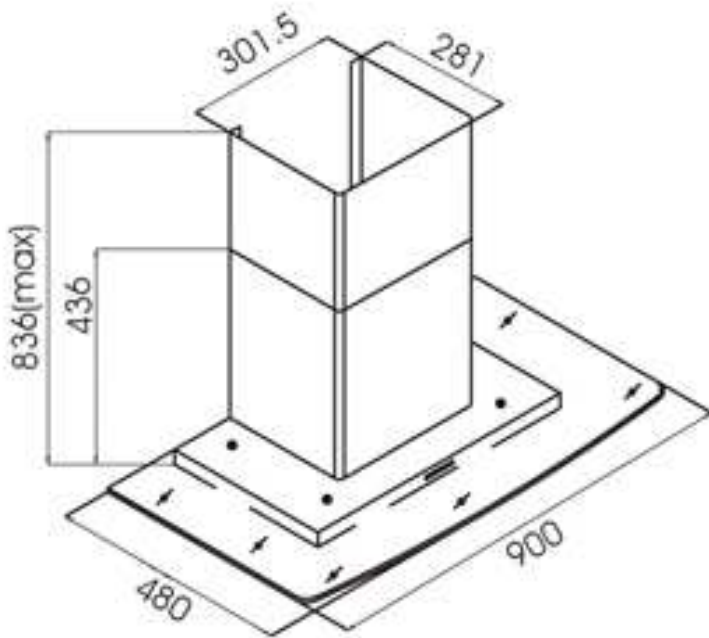
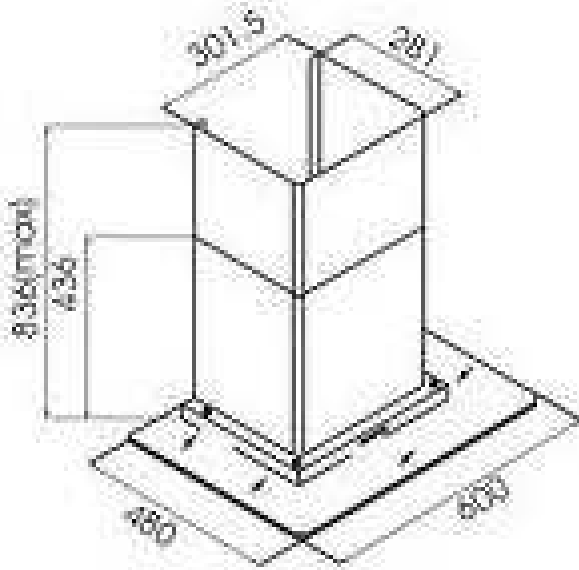
Disconnect the cooker hood from the mains supply before any cleaning or maintenance work is carried out. Ensure that:

- The appliance is switched off at the wall and the plug is removed or,
- The fuse is removed from the fused spur connection unit or,
- The mains fuse is withdrawn.

Cleaning

- Stainless steel surfaces and controls are prone to scratches and abrasions.
- External surfaces and controls can be cleaned using a warm damp sponge or soft cloth with a little washing up liquid.
- Always use a well wrung out cloth for cleaning the controls as too much water can penetrate the electronics and may cause damage.
- Wipe the surfaces dry using a soft cloth.
- Never use aggressive / abrasive cleaners or solvents as these may damage the surface.

Appliance Dimensions



Installation Instructions

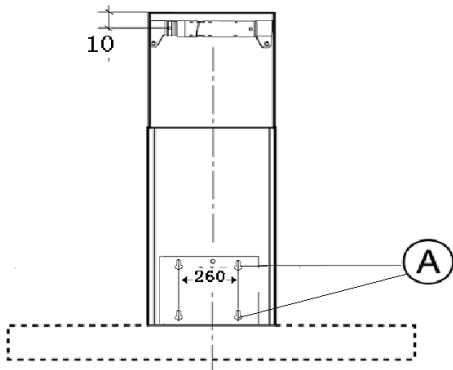


Fig 1

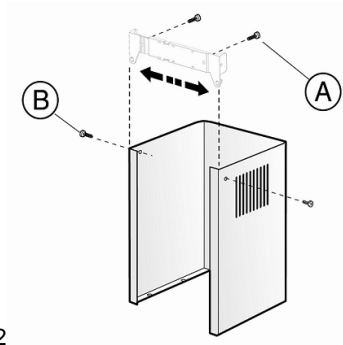


Fig 2

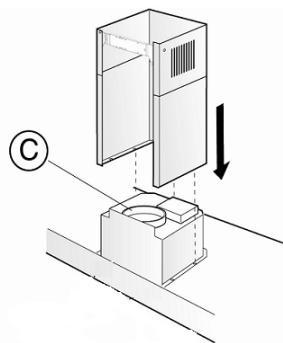


Fig 3

Connection for air extraction via 150mm air outlet

Installing the Hood

Note 1: On stainless steel hoods, carefully remove the plastic protective film from all exterior surfaces of the hood and chimney prior to final installation.

Note 2: At least two people will be required to mount the hood.

Note 3: The fixings supplied are suitable for use on brick and concrete walls. For plasterboard fitting, we recommend using Heavyweight Intersect™ Plasterboard Fixings.

Note 4: The cooker hoods should be placed at a distance of 650mm to 750mm between the top of the cooker hob and the bottom of the cooker hood (See Important Safeguards-Installation).

Note 5: Before proceeding to fit the appliance remove the aluminium grease filters as shown on page 8 of the manual under "Aluminium Grease Filters" section, so that the unit is easier to handle.

Note 6: If the appliance is to be used in air extraction mode, firstly prepare the hole for the air to be evacuated.

FIXING TO THE WALL

1. Drill 4 holes in the wall respecting the distances indicated in Fig.1.
2. Fix the appliance to the wall and align it in a horizontal position to the wall units. When the appliance has been adjusted, definitely fix the hood using the screws A.
3. For the various installations use screws and screw anchors suited to the type of wall (e.g. reinforced concrete, plasterboard, etc.). If the screws and screw anchors are provided with the product check that they are suitable for the type of wall on which the hood is to be fixed.

FIXING THE DECORATIVE TELESCOPIC FLUE

1. Arrange the electrical power supply within the dimensions of the decorative flue and connect the hood to the mains supply (see overleaf).
2. If your appliance is to be installed for air extraction, prepare the air exhaust outlet and attach an adequate length of 150mm round duct to this external vent and to the air outlet adapter C (Fig 3).
3. Adjust the width of the chimney mounting bracket (Fig.2) and fix the chimney mounting bracket to the wall in such a way that it is in line with your hood and respecting the distance from the ceiling indicated in Fig.1.
4. Position the lower chimney section onto the hood body and extend the upper chimney section to the ceiling.
5. Secure the upper chimney section to the chimney mounting bracket by use of the screws (B) as indicated in Fig 2.

Connection to the Mains Supply

This appliance should be installed by a suitably qualified electrician.

Before connecting the appliance to the mains supply, ensure that the voltage and frequency details on the product rating plate are consistent with the source of supply.

This product is not supplied with a plug and must be connected to a mains supply via a 3A BS approved fuse (recommended).

WARNING:

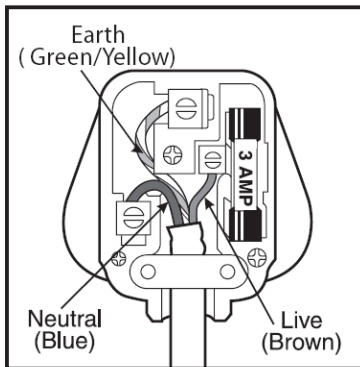
THIS APPLIANCE HAS BEEN MANUFACTURED AS A CLASS 1 AND MUST BE EARTHED.

The wires in the mains lead are coloured in accordance with the following code:

GREEN / YELLOW – EARTH

BLUE – NEUTRAL

BROWN – LIVE



As the colours of the wires in the mains lead of this appliance may not correspond with the coloured markings identifying the terminals in the wall mount socket, proceed as follows:

- The **GREEN/YELLOW** wire is the **EARTH** and must be connected to the terminal which is marked with the letter '**E**' or by the earth symbol or coloured **GREEN** or **GREEN/YELLOW**.
- The **BLUE** wire is the **NEUTRAL** and must be connected to the terminal which is marked with the letter '**N**' or coloured **BLACK**.
- The **BROWN** wire is the **LIVE** wire and must be connected to the terminal which is marked with the letter '**L**' or coloured **RED**.



Trouble Shooting

Problem	Possible reason	Solution
Hood doesn't work	No electric supply	Check the plug is connected
		Check the mains switch is turned on
Poor airflow	Aluminium grease filters clogged	Clean the filters and replace when dry
	Charcoal filters clogged	Replace the charcoal filters
Motor running but no air flow	Butterfly valve jammed	Contact technician
Motor cuts after a few minutes	High temperature safety device activated	The kitchen is not sufficiently ventilated
	The hood is installed too near the cooking stove	The hood must be least 650mm from stove
Strong cooking smell	Charcoal filters not installed	In re-circulating mode, charcoal filters must be installed
Oil dripping onto stove	Oil cup missing or not installed	Remove aluminium filter and replace oil cup
	Aluminium grease filter saturated	Wash the aluminium grease filters
Whirring sound	Something in contact with fan blade	Contact technician

Note: Consistent with our continuing product development policy, improvements may have been made which render the contents of this package slightly different to that shown.

**Model No. UDS601FSS, UDS901FSS
August 2009**

**Appliance 365 Ltd.
Cranage House
730 Mandarin Court
Centre Park
Warrington
United Kingdom
WA1 1GG**

www.appliance365.co.uk