

600mm Chimney hood



UCH601SS

Your 1 Year Guarantee

Your appliance carries a 1 year parts and labour warranty. To fulfil the conditions of your guarantee, the appliance must be correctly installed and operated in accordance with the instructions, and only be used for normal domestic purposes.

Please note that the guarantee and service availability only apply to the United Kingdom mainland.

Customer Service

In case of difficulty please call the Customer Service Helpline number.

0844 800 7848

- When calling customer service, please ensure you have the model and serial number to hand.
- Please keep your receipt or invoice in a safe place as they will be required as proof of date of purchase.

Appliance 365 Ltd, Cranage House, 730 Mandarin Court, Warrington
Cheshire, WA1 1GG, United Kingdom.

Important Safeguards

When using electrical appliances, in order to reduce the risk of fire, basic safety precautions should always be followed, including:

Read all instructions carefully, even if you feel that you are familiar with this appliance.

- This appliance is intended for use by adults.
- This appliance is not a toy and is not intended for use by children.
- This appliance is not intended for use by young children or infirm persons unless they have been adequately supervised by a responsible person to ensure they can use the appliance safely.
- When using this appliance the lamps may become hot and remain hot for some time after switching off.
- Please remove all packaging prior to use and dispose of or recycle accordingly.
- Packaging materials (e.g. polystyrene and plastic items) must be kept out of reach of babies and young children at all times due to risk of suffocation.

Keep these instructions in a safe place for future reference

Installation

Always adhere to the minimum safety distance between the top of the cooker / hob and the under-side of the cooker hood:

- 650mm for electric hobs and cookers
- 750mm for gas hobs and cookers
- For cooking appliances not supplied by Appliance 365 Ltd, please ensure the hood is fitted in accordance with the safety distances recommended by the manufacturer in their installation manuals.
- It is prohibited to fit a cooker hood over a solid fuel stove.
- All materials used in the fitment of this product must be non-flammable.
- This appliance must not be connected to a chimney or vent flue which is in use.
- Professional advice should be sought if ducting this appliance into a chimney or vent flue which is no longer in use.
- This appliance should not be connected to ducting which ventilates rooms with fireplaces.
- Attention should be given to ensure that any applicable regulations concerning discharge of exhaust air are fulfilled.
- This appliance should be installed and maintained by a suitably qualified and competent person in accordance with the relevant safety regulations.
- Before connecting the appliance to the mains supply, ensure that the voltage and frequency details on the rating plate are consistent with the source of supply.
- Always disconnect the appliance from the mains supply before any maintenance or repair work is carried out.

This appliance has been produced in accordance with the relevant safety requirements. Mis-use of this product may lead to personal injury and / or damage to property.

Please read these instructions carefully before using this appliance for the first time and keep them in a safe place for future reference.

Operation (Extraction Mode Only)

- Care should be taken if operating the cooker hood at the same time, and in the same vicinity, as other heating appliances which depend on air for their operation. This may include such appliances as wood, oil, gas or coal-fired boilers and heaters, gas ovens, hobs and cookers and continuous flow or other water heaters.
- The cooker hood when used in extraction mode will draw air from neighbouring rooms in addition to the room in which it is fitted.
- If there is insufficient air in these rooms, an under-pressure will occur and the heating appliance may be starved of oxygen and combustion may not occur.
- In addition, harmful gases from the heating appliance may be drawn from the chimney/ducting back into the room with potentially fatal consequences.
- To ensure safe operation, an under-pressure of 0.04mbar (4pa) is the maximum permissible in the room.
- Adequate ventilation can be maintained by:
 - The use of air inlets by means of windows, doors and external wall vents.
 - Ensuring none of the ventilation openings are blocked.
 - Using either the cooker hood or heating appliance in isolation.
- It is advisable to use a window contact switch if relying on an open window as the sole source of ventilation. In this case, the cooker hood will not operate unless the window is open sufficiently. These can be obtained from all good builders merchants.
- Any doubts or concerns should be raised with a suitably qualified and competent person or in the case of a gas appliance with a Gas Safe registered installer.

Disposal of Your Old Appliance

Before discarding your old appliance:

- Switch off and disconnect it from the power supply.
- Cut off the plug.
- Cut off the cable directly behind the appliance to prevent mis-use.

These steps should be carried out by a suitably qualified and competent person.



This appliance is marked according to the European directive 2002/96/EC on Waste Electrical and Electronic Equipment (WEEE).

By ensuring this product is disposed of correctly, you will help prevent potential negative consequences for the environment and human health, which could otherwise be caused by inappropriate waste handling of this product.

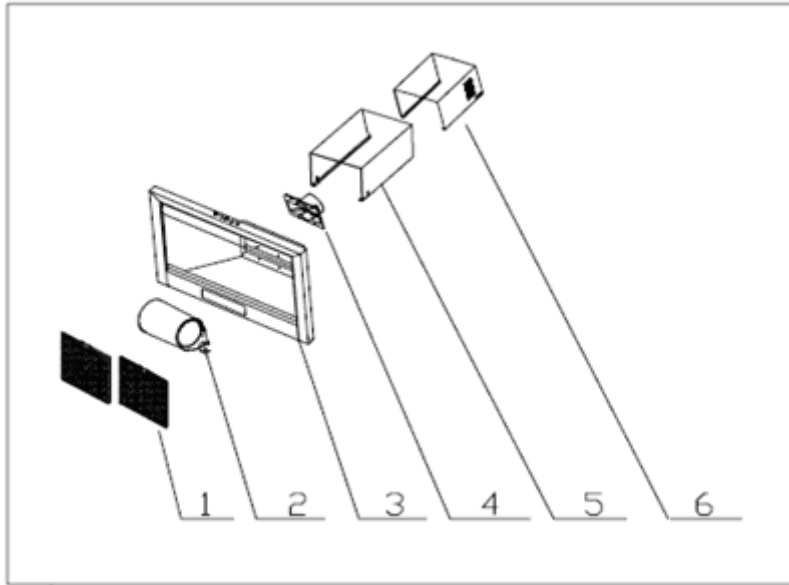
The symbol on the product indicates that this product may not be treated as household waste. Instead it shall be handed over to the applicable collection point for the recycling of electrical and electronic equipment.

Disposal must be carried out in accordance with local environmental regulations for waste disposal.

For more detailed information about treatment, recovery and recycling of this product, please contact your local city office, your household waste disposal service or the shop where you purchased the product.

The manufacturer cannot be held liable for any damage caused due to non-compliance with these important safeguards.

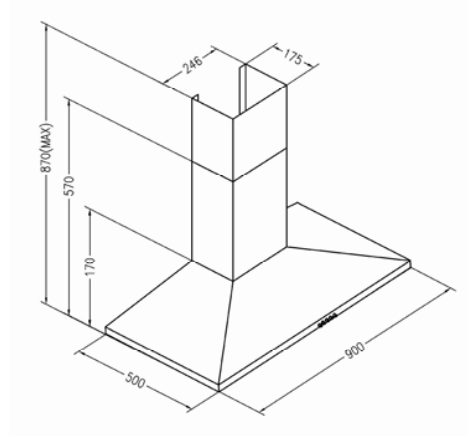
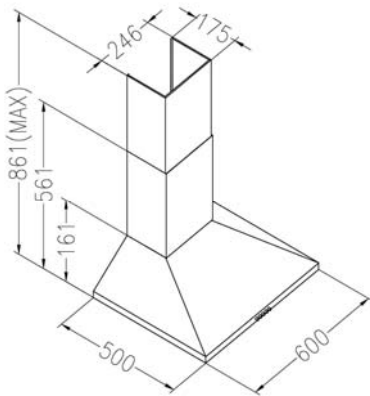
Identifying the components of your cooker hood



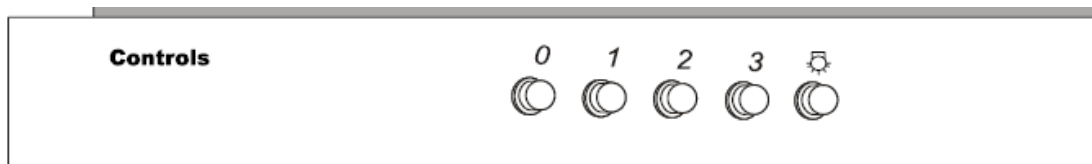
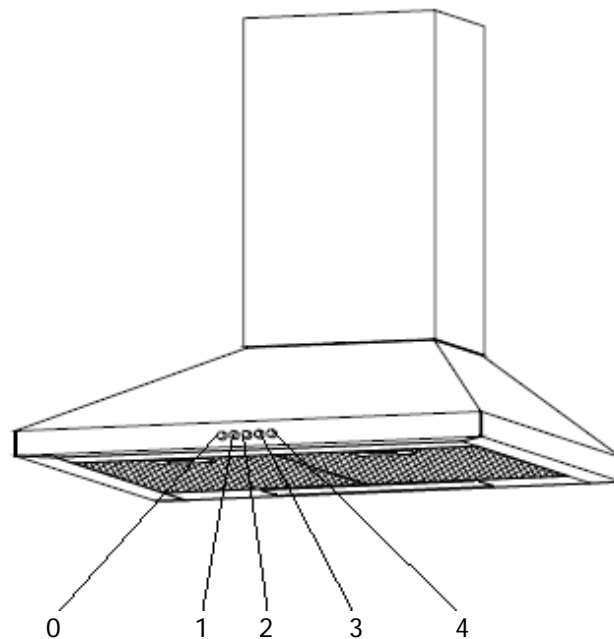
1. Filter Assembly
2. Air duct Assembly
3. Main body assembly

4. Damper flap
5. Outer Chimney section
6. Inner Chimney section

Appliance Dimensions



Key Features Explained



0	STOP
1	LOW SPEED
2	MEDIUM SPEED
3	HIGH SPEED
4	LIGHT BUTTON

To operate your cooker hood:

- To start the motor, press the button to select the required fan speed (low/medium/high)
- Press the light button once to turn the light on and again to switch it off.
- To switch the motor off, press the stop button.
- The fan should be allowed to run for a few minutes after cooking to allow any remaining odours to be neutralised.

Cleaning and Maintenance

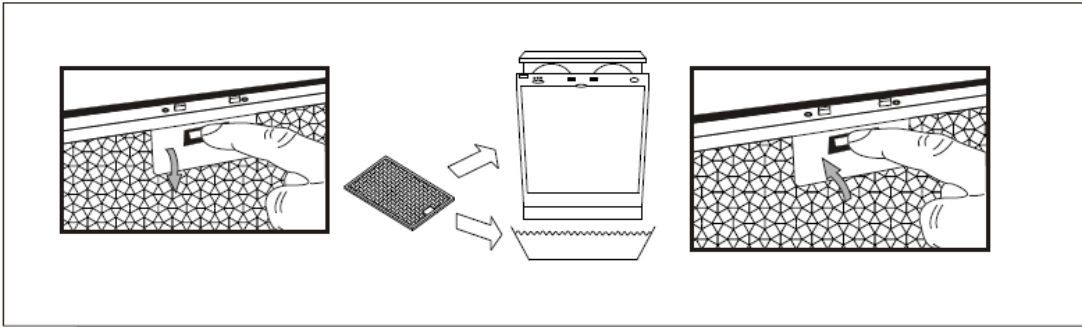
Disconnect the cooker hood from the mains supply before any cleaning or maintenance work is carried out. Ensure that:

- The appliance is switched off at the wall and the plug is removed or,
- The fuse is removed from the fused spur connection unit or,
- The mains fuse is withdrawn.

Cleaning

- External surfaces and controls are prone to scratches and abrasions.
- External surfaces and controls can be cleaned using a warm damp sponge or soft cloth with a little washing up liquid.
- Always use a well wrung out cloth for cleaning the controls as too much water can penetrate the electronics and may cause damage.
- Wipe the surfaces dry using a soft cloth.
- Never use aggressive / abrasive cleaners or solvents as these may damage the surface.

Aluminium Grease Filters



- The re-usable aluminium filters supplied with this appliance should be cleaned every 3-4 weeks to avoid a build up of grease.
 - To clean the filters, remove them from the hood and place into a bowl of warm soapy water and soak for about 2-5 minutes.
 - Clean the mesh with a soft brush.
 - Do not apply too much pressure as the mesh is delicate and will damage easily.
 - Do not use a corrosive detergent.
 - Whilst the filters are removed, clean off any residual grease from the housing unit to avoid the risk of fire.
 - After cleaning, leave the filters to dry before replacing them on the appliance.
 - Alternatively, the filters can be washed in the dishwasher.
 - When replacing the grease filters, ensure that the locking mechanism is facing down
- Note: The metallic filters may alter in colour after several washes, this is quite normal and is not a cause for customer complaint.

Fitting and Replacing the Active Carbon Filter

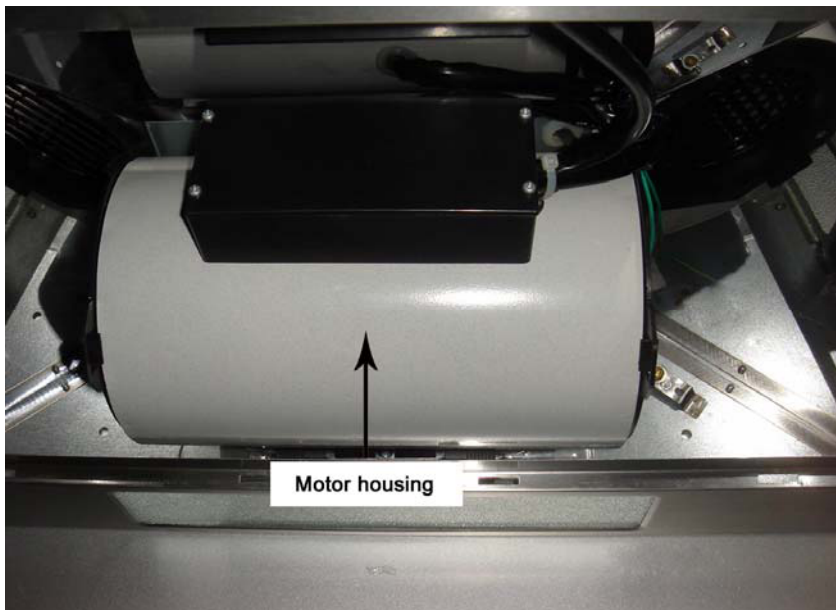
If the cooker hood is to be used in recirculation mode, an activated charcoal filter must be inserted in addition to the aluminium grease filters. These charcoal filters are designed to absorb cooking odours and are located in the canopy above the grease filters.

The charcoal filter is not washable and should be replaced when it no longer absorbs kitchen odours effectively. Under normal use, this would be approximately every 6 months or more frequently for particularly heavy usage.

Used charcoal filters can be disposed of with normal household waste.

To fit the charcoal filters:

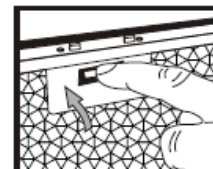
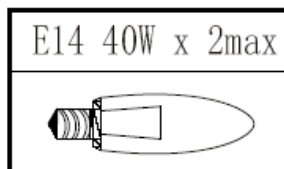
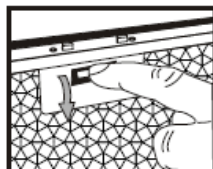
1. Before fitting or replacing the charcoal filters, the grease filters must first be removed.
2. This appliance requires 2 round filters which are located on the left and right-hand side of the motor housing (see below).



3. Each side of the motor housing is fitted with a plastic filter bracket which has 3 lugs.
4. Align the lugs on the charcoal filter with those on the motor housing filter bracket and press firmly until the filter locks in place.
5. Once complete, replace the aluminium filters.

Replacing the Lamp

Replacing
lamp



- Unscrew the lamp rim in an anti-clockwise direction.
- Remove the old bulb and replace with a new lamp.
- Replace the lamp rim, turning in a clockwise direction.

Installation Instructions

Before installation, unpack the hood and check the contents. You should receive;

- 1 Main hood body**
- 1 Damper flap**
- 2 Chimney pieces**
- 1 Chimney fixing bracket**
- 6 Plastic expanding plugs**
- 6 Wall expanding screws ST4*35**
- 2 Wall bracket fixing screws ST4*10**
- 4 Damper flap fixing Screws ST4*18**
- 2 Washers**
- 1 Cardboard drill hole template**
- 1 User instructions**

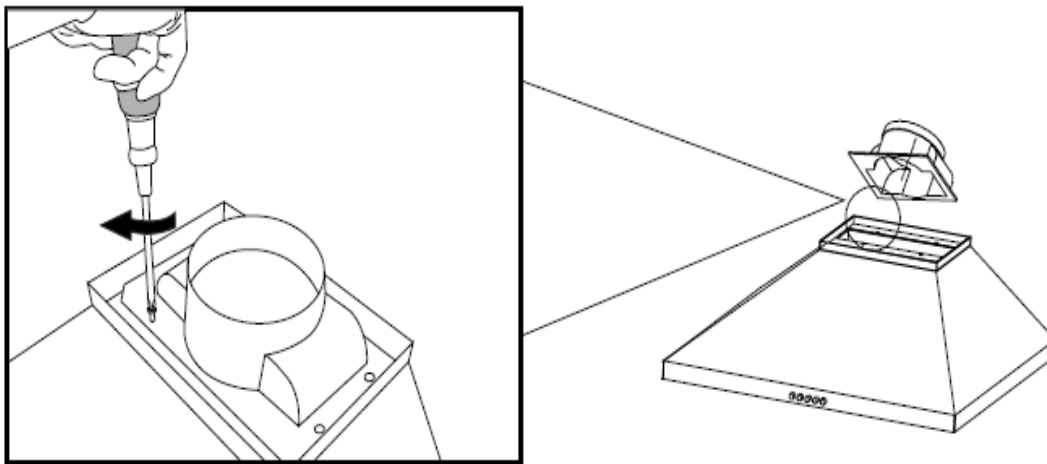


Fig 1:

Before installing the cooker hood, please first fix the damper flap on the air outlet of the hood as shown above.

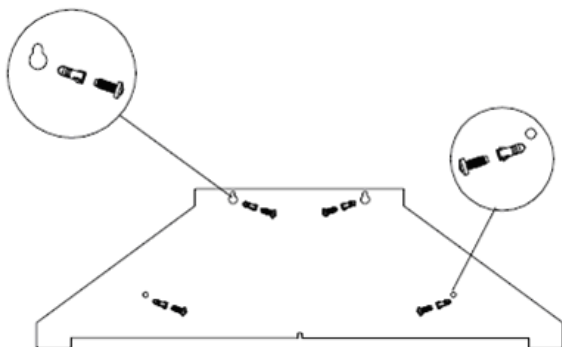


Fig 2a:

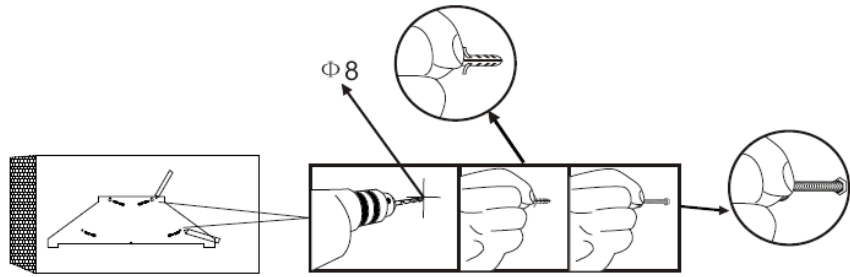


Fig 2b:

Position the hood in the required location on the wall. Using the template provided, drill 4 size 8 diameter holes in the wall and fix 4 x wall plugs and screws into the wall as shown in figs 2a and 2b above.

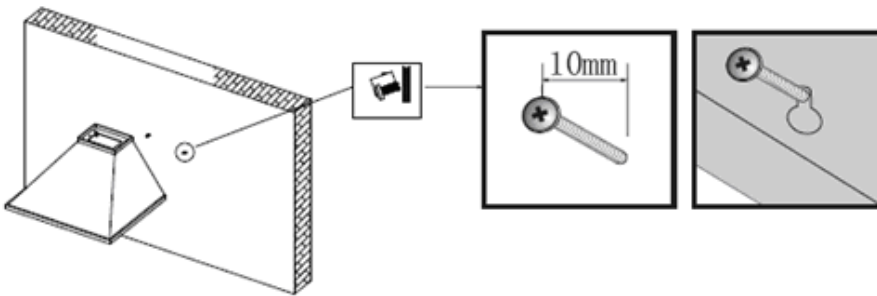


Fig 3;

Hang the hood on the 4 screws as in Fig 3; adjust the hood to the level and position required. Tighten the 4 screws; starting with the upper two screws, then the lower two screws, as illustrated in Fig 4.

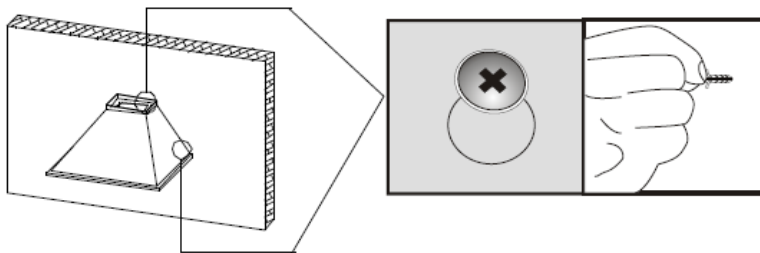


Fig 4;

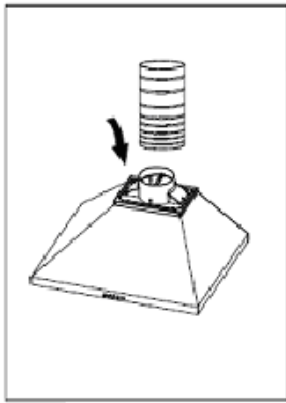


Fig 5; Connect the hose to the air duct assembly if extracting externally.

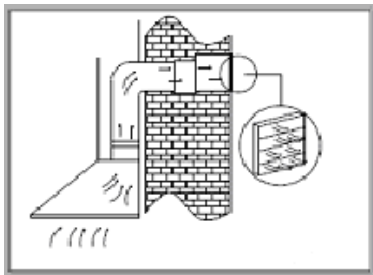


Fig 6; Ducted to an outside wall via a wall cap.

NB: The air must not be discharged into a flue that is used for exhausting fumes from appliances burning gas or other fuels.

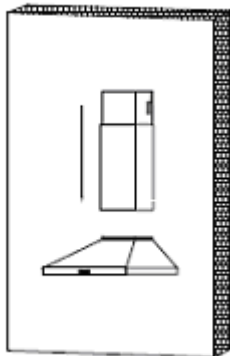
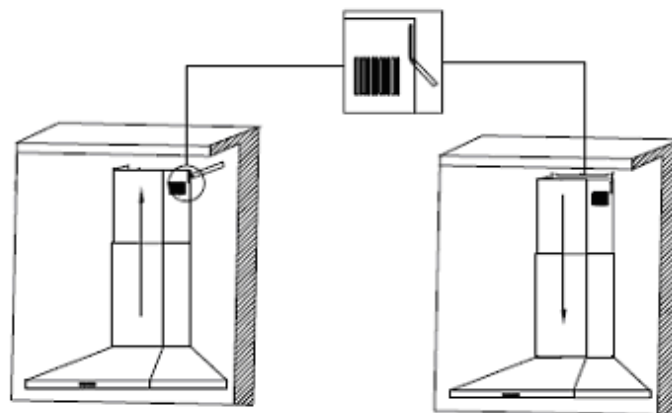


Fig 7



Adjust the chimney sections into the required position and mark the position of the chimney fixing bolster with a pencil.

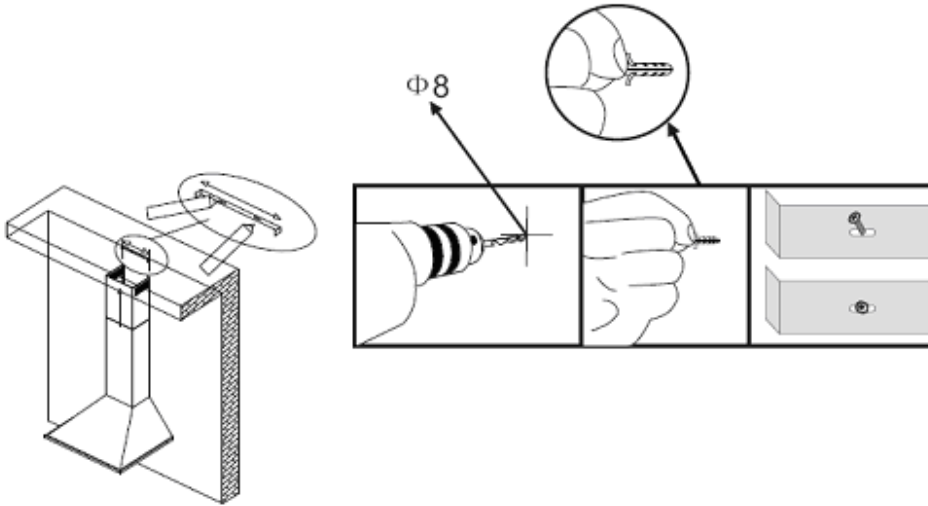


Fig 8;

Install the chimney fixing bracket to the wall following the markings made earlier, as illustrated above.

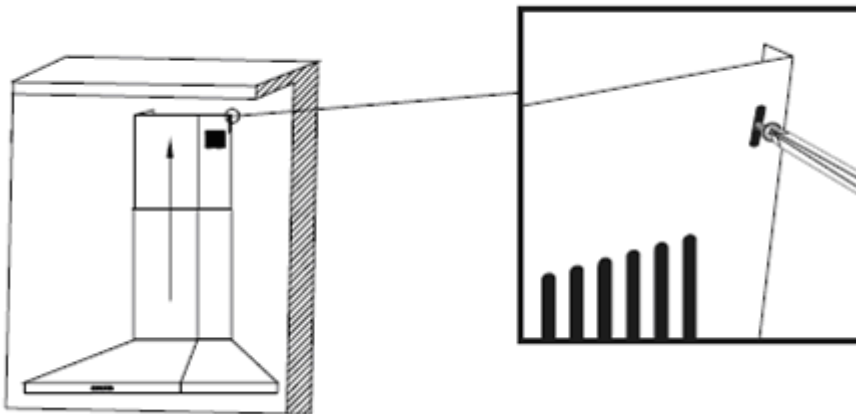


Fig 9;

Tighten the screws to connect the upper chimney to the chimney fixing bracket, as shown in Fig 9.

Connection to the Mains Supply

Before connecting the appliance to the mains supply, ensure that the voltage and frequency details on the product rating plate are consistent with the source of supply.

This product is not supplied with a plug and must be connected to a mains supply via a 3A BS approved fuse (recommended).

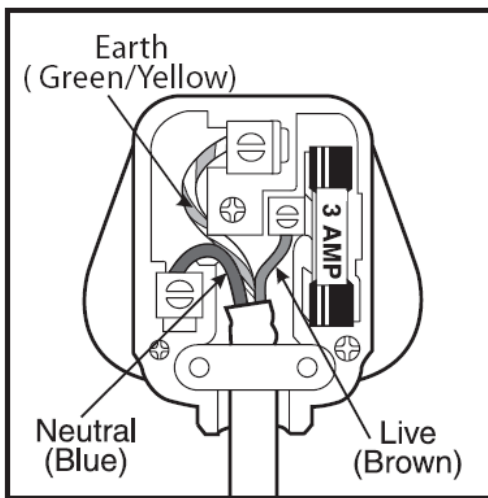
WARNING: THIS APPLIANCE MUST BE EARTHED

The wires in the mains lead are coloured in accordance with the following code:

GREEN/YELLOW – EARTH

BLUE – NEUTRAL

BROWN - LIVE



As the colours of the wires in the mains lead of this appliance may not correspond with the coloured markings identifying the terminals in wall mount socket, proceed as follows:

- The **GREEN/YELLOW** wire is the **EARTH** and must be connected to the terminal which is marked with the letter 'E' or by the earth symbol \oplus or coloured **GREEN** or **GREEN/YELLOW**.
- The **BLUE** wire is the **NEUTRAL** and must be connected to the terminal which is marked with the letter 'N' or coloured **BLACK**.
- The **BROWN** wire is the **LIVE** wire and must be connected to the terminal which is marked with the letter 'L' or coloured **RED**.



Note: Consistent with our continuing product development policy, improvements may have been made which render the contents of this package slightly different to that shown.

Model No. UCH601SS

October 2009

**Appliance 365 Ltd
Cranage House
730 Mandarin Court
Centre Park
Warrington
Cheshire
WA1 1GG**

www.appliance365.co.uk